



IC5T

COMPACT BRAZED HEAT EXCHANGER

Test 5 T

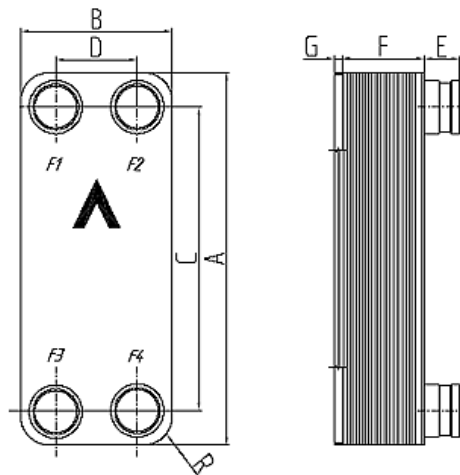
Easy to choose the right product solution

With SWEP's unique SSP CBE, the SWEP Software Package, you can do advanced heat transfer calculations yourself, and choose the product solution that suits your application best. It's also easy to choose connections and generate drawings of the complete product. If you would like advice, or you would like to discuss different product solutions, SWEP offers all the service and support your need.

THIRD-PARTY APPROVALS (selection)

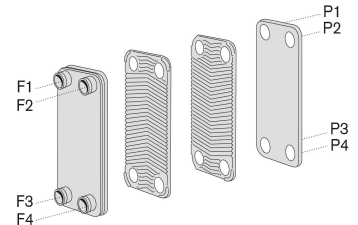
Europe, Pressure Equipment Directive (PED 97/23/EC)

For additional information please contact your local SWEP representative. SWEP reserves the right to make changes without prior notice.



Measurements(mm)	Tolerance
A	192 +2 /-2
B	73 +1 /-1
C	154 +1 /-1
D	40 +1 /-1
E	12.1 (opt. 20.1) +1 /-1
F	2+2.24x(NP-2) +0.5% /-1.5%
G	7
R	16 +1 /-1

Port size F/P: 16mm



CBE port denomination

STANDARD CONNECTIONS

For specific dimensions, or information about other types of connections, please contact your SWEP sales representative.

TECHNICAL DATA

Max working pressure at 135°C

Inner circuit: 16 bar (232psi)
Outer circuit: 16 bar (232psi)

Test pressure:

20 bar (290psi)

Min temperature:

0°C (32F)

Max temperature:

135°C (275F)

Max number of plates (NoP)

40

CBE weight

0.33+NoPx0.044kg

(0.7+NoPx0.1lbs)

(NoP/2-1)x0.024 litres

((NoP/2-1)x0.001 gal.)

Plate material:

EN 10028/7-1.4401 (AISI 316)

Brazing material:

Pure Copper

Standard connection material

EN 10272-1.4401 (AISI 316)



SWEP INTERNATIONAL AB

Box 105, SE-261 22 Landskrona, Sweden
Phone +46 418 40 04 00
Fax +46 418 292 95
Internet: www.swep.net
E-mail: info@swep.net