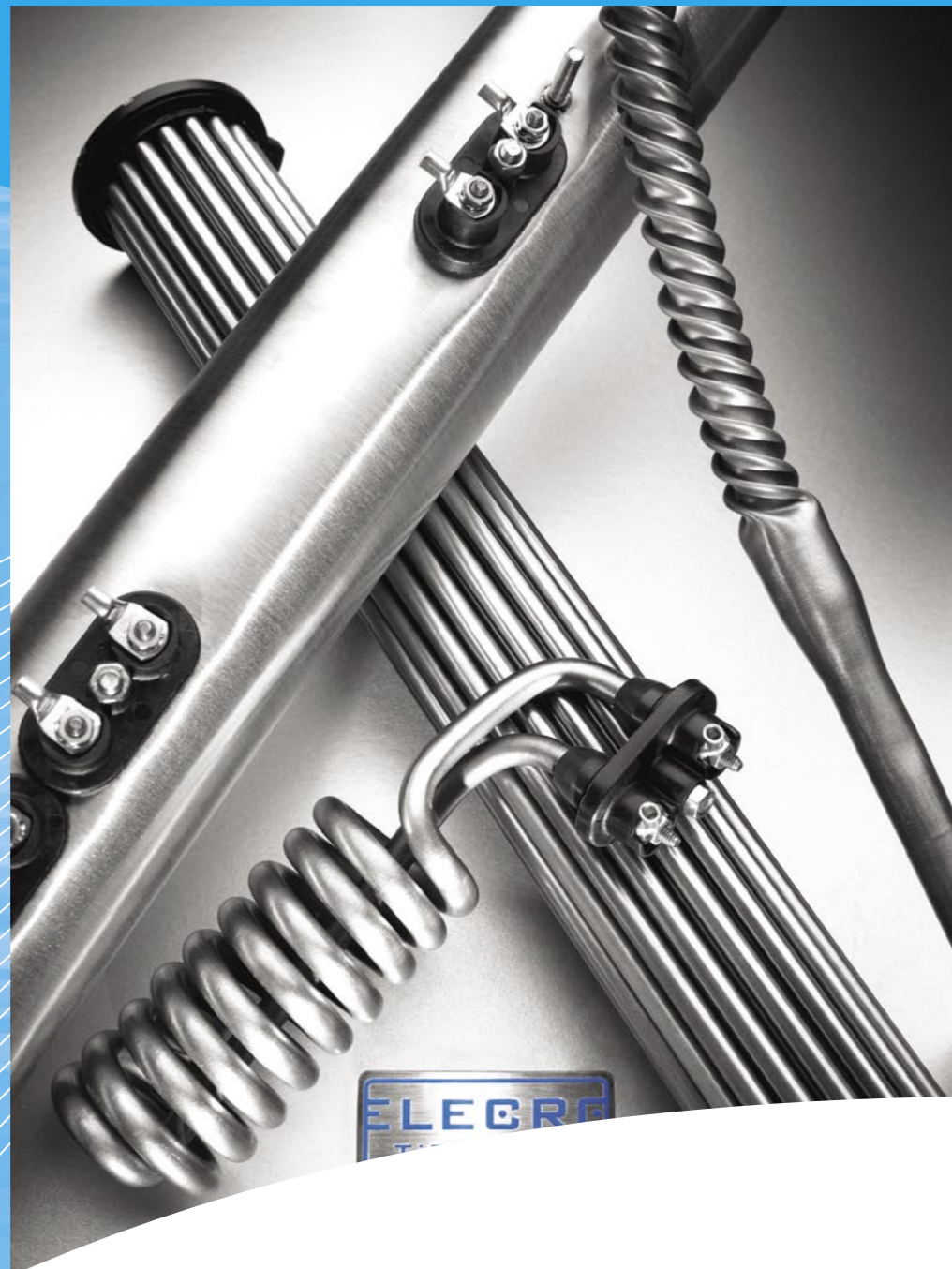




[www.elecro.co.uk](http://www.elecro.co.uk)

The Swimming Pool Heating Specialist



# Electro Engineering

“In the relentless pursuit of perfection”



## THE SWIMMING POOL HEATING SPECIALISTS

**Opening Hours**  
Peak Season (1 April - 30 September)  
8.00am - 5pm Monday - Thursday  
8.00am - 2.30pm Friday

Off Peak Season (1 October - 31 March)  
8.00am - 4pm Monday - Thursday  
8.00am - 2.30pm Friday

Weekends and Bank Holidays. Closed

**UK Head Office**  
Electro Engineering Limited,  
Unit 14 Leyden Road, Stevenage,  
Hertfordshire, SG1 2BW, United Kingdom  
Tel: + 44 1438 749474  
Fax: + 44 1438 361329

[www.electro.co.uk](http://www.electro.co.uk)  
**European Office**  
Tel: + 34 962 533308  
Contacts  
General: [info@electro.co.uk](mailto:info@electro.co.uk)  
Sales: [sales@electro.co.uk](mailto:sales@electro.co.uk)  
Administration: [cheryl@electro.co.uk](mailto:cheryl@electro.co.uk)  
Technical: [technical@electro.co.uk](mailto:technical@electro.co.uk)

## COMPANY PRESENTATION

Electro Engineering Limited are a UK manufacturer and specialist in the field of swimming pool water heating. The company was established over 15 years ago, with the aim of providing the highest quality equipment for the heating of swimming pools. Electro have been involved in the design, development and manufacture of thousands of pool heating systems worldwide, and are now recognised as one of the leading companies in their field.

Much of our success is owed to our dedication to constant research and development, as we strive in the relentless pursuit of perfection.

All of our products are built to exacting standards using the highest quality materials, to ensure unparalleled durability, safety and reliability.

Electro has quickly earned a reputation for excellence, and our products are already exported across the globe to over 40 different countries. Electro products are the choice of pool professionals throughout the world.

Electro Engineering is dedicated to building lasting relationships with its customers and are always onhand to offer expert advice, and technical service.

[www.electro.co.uk](http://www.electro.co.uk)

## ELECTRIC HEATERS - EVOLUTION

### EVOLUTION

Evolution model pool heaters are the market leading electric swimming pool heaters that are perfect for use on all types of pool, from small splasher pools to larger inground pools. All Evolution models are supplied fully equipped and pre-wired including flow switch, control thermostat, overheat safety thermostat and contactor for easy and cost effective installation.

All models are available in either Stainless Steel 316l or Titanium, for salt pools and include a unique reversible flow switch, which allows water flow from either direction. A 24 hour time clock can be added as an option.

Evo models have become the choice of pool professionals due to their ease of installation and unbeatable reliability. They are available in outputs from 2-24kW, in 1 and 3 phase.

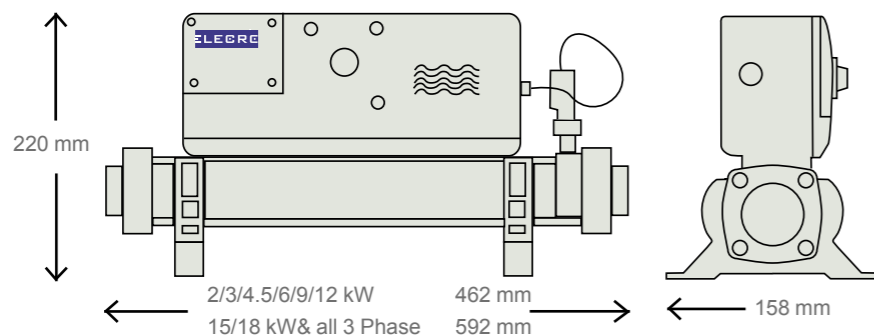
### Technical Specification

#### Stainless Steel

Heating Elements: Incoloy 825  
 Flow Tube: Stainless Steel BS316  
 Control Thermostat: 0-40°C(1°C Differential)  
 Safety Thermostats: 50°C Manual Reset  
 Flow Requirements: Minimum 1000ltr/hr  
 Maximum 13000ltr/hr  
 Control Housing: Abs (Flame retardant, UV Stabilised)  
 Water Connections: 1.5" BSP/ 50mm  
 Service Pressure: 5 Bar

#### Titanium

Heating Elements: Pure Titanium  
 Flow Tube: Pure Titanium  
 Control Thermostat: 0-40°C(1°C Differential)  
 Safety Thermostats: 50°C Manual Reset  
 Flow Requirements: Minimum 1000ltr/hr  
 Maximum 13000ltr/h  
 Control Housing: Abs (Flame retardant, UV Stabilised)  
 Water Connections: 1.5" BSP/ 50mm  
 Service Pressure: 5 Bar



**Elecro Engineering. "In the relentless pursuit of perfection"**  
[www.elecro.co.uk](http://www.elecro.co.uk)

## ELECTRIC HEATERS - EVOLUTION



### Stainless Steel

Product Code	Description	EUR RRP
1 Phase Models		
802	2-kW 1 Phase 230V	€350
803	3-kW 1 Phase 230V	€378
804	4.5-kW 1 Phase 230V	€406
806	6-kW 1 Phase 230V	€441
809	9-kW 1 Phase 230V	€490
80A	12-kW 1 Phase 230V	€525
80B	15-kW 1 Phase 230V	€595
80C	18-kW 1 Phase 230V	€651
3 Phase Models		
836V	6-kW 1 Phase 230V / 3 Phase 400V	€511
839V	9-kW 1Phase 230V / 3 Phase 400V	€574
83AV	12-kW 1 Phase 230V / 3 Phase 400V	€609
83B	15-kW 1 Phase 400V	€651
83C	18-kW 1 Phase 400V	€728
83D	24-kW 1 Phase 400V	€875



### Titanium

Product Code	Description	EUR RRP
1 Phase Models		
T82	2-kW 1 Phase 230V	€427
T83	3-kW 1 Phase 230V	€441
T84	4.5-kW 1 Phase 230V	€476
T86	6-kW 1 Phase 230V	€504
T89	9-kW 1 Phase 230V	€546
T8A	12-kW 1 Phase 230V	€588
T8B	15-kW 1 Phase 230V	€651
T8C	18-kW 1 Phase 230V	€707
3 Phase Models		
T36V	6-kW 1 Phase 230V / 3 Phase 400V	€623
T39V	9-kW 1 Phase 230V / 3 Phase 400V	€672
T3AV	12-kW 1 Phase 230V / 3 Phase 400V	€714
T3B	15-kW 3 Phase 400V	€777
T3C	18-kW 3 Phase 400V	€833
T3D	24-kW 3 Phase 400V	€966

\* To incorporate a 24-hour time clock to any of the above heaters please add €49.00 EUR to the RRP

**Elecro Engineering. "In the relentless pursuit of perfection"**  
[www.elecro.co.uk](http://www.elecro.co.uk)



## ELECTRIC HEATERS - INLINE +

### INLINE +

Inline + model pool heaters are based around the market leading EVO electric swimming pool heaters and are perfect for use on all types of pool, from small splashers pools to larger inground pools. All Inline + heaters are supplied fully equipped and pre-wired including flow switch, digital control thermostat, overheat safety thermostat and contactor for easy and cost effective installation.

All models are available in either Stainless Steel 316l or Titanium, for salt pools and include a unique reversible flow switch, which allows water flow from either direction.

The digital control offers priority of heating, with timed pump control and has an easy to understand, diagnostic display. Pump interlock cable is included.

Inline + models are available in outputs from 2-24kW, in 1 and 3 phase..

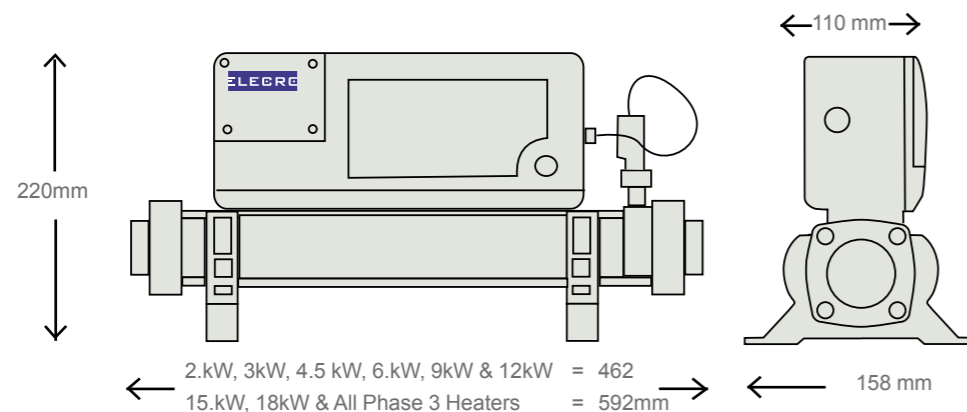
### Technical Specification

#### Stainless Steel

Flow Tube: Stainless Steel BS316  
 Heating Element: Incoloy 825  
 Control Thermostat: Digital 0-40°C (0.5°C Differential)  
 Safety Thermostat: 50°C Manual Reset  
 Flow Requirements: Minimum 1000ltr/hr  
 Maximum 13000ltr/hr  
 Control Housing: Abs (Flame retardant UV Stabilised)  
 Water Connections: 1.5" BSP/ 50mm  
 Service Pressure: 5 Bar

#### Titanium

Heating Element: Pure Titanium  
 Flow Tube: Pure Titanium  
 Control Thermostat: Digital 0-40°C (0.5°C Differential)  
 Safety Thermostat: 50°C Manual Reset  
 Flow Requirements: Minimum 1000ltr/hr  
 Maximum 13000ltr/hr  
 Control Housing: Abs (Flame retardant UV Stabilised)  
 Water Connections: 1.5" BSP/ 50mm  
 Service Pressure: 5 Bar



Elecro Engineering. "In the relentless pursuit of perfection"  
[www.elecro.co.uk](http://www.elecro.co.uk)

## ELECTRIC HEATERS - INLINE +



### Stainless Steel

Product Code	Description	EUR RRP
<b>1 Phase Models</b>		
802D	2-kW 1 Phase 230V	€483
803D	3-kW 1 Phase 230V	€497
804D	4.5-kW 1 Phase 230V	€532
806D	6-kW 1 Phase 230V	€560
809D	9-kW 1 Phase 230V	€595
80AD	12-kW 1 Phase 230V	€644
80BD	15-kW 1 Phase 230V	€700
80CD	18-kW 1 Phase 230V	€763
<b>3 Phase Models</b>		
836DV	6-kW 1 Phase 230V / 3 Phase 400V	€623
839DV	9-kW 1 Phase 230V / 3 Phase 400V	€665
83ADV	12-kW 1 Phase 230V / 3 Phase 400V	€700
83BD	15-kW 3 Phase 400V	€763
83CD	18-kW 3 Phase 400V	€826
83DD	24-kW 3 Phase 400V	€952



### Titanium

Product Code	Description	EUR RRP
<b>1 Phase Models</b>		
T82D	2-kW 1 Phase 230V	€546
T83D	3-kW 1 Phase 230V	€560
T84D	4.5-kW 1 Phase 230V	€595
T86D	6-kW 1 Phase 230V	€623
T89D	9-kW 1 Phase 230V	€665
T8AD	12-kW 1 Phase 230V	€700
T8BD	15-kW 1 Phase 230V	€763
T8CD	18-kW 1 Phase 230V	€805
<b>3 Phase Models</b>		
T36DV	6-kW 1 Phase 230V / 3 Phase 400V	€734
T39DV	9-kW 1 Phase 230V / 3 Phase 400V	€783
T3ADV	12-kW 1 Phase 230V / 3 Phase 400V	€826
T3BD	15-kW 3 Phase 400V	€882
T3CD	18-kW 3 Phase 400V	€945
T3DD	24-kW 3 Phase 400V	€1064

Elecro Engineering. "In the relentless pursuit of perfection"  
[www.elecro.co.uk](http://www.elecro.co.uk)

## ELECTRIC HEATERS - FLOWLINE

### FLOWLINE

Flowline model Electric heaters are the perfect solution for use on all pool/ spa systems where a separate control panel/ contactors will be utilised. They are supplied equipped with flow switch, control thermostat and safety high limit thermostat, and require wiring via appropriate external contactors.

All models are available in either Stainless Steel 316l or Titanium for salt pools and include a unique reversible flow switch, which allows water flow from either direction.

Flowline Model electric heaters from Elecro are available in outputs from 2-24kW and in both 1 and 3 phase.

All Flowline Models are supplied equipped and pre wired and include mounting brackets for wall or base fixing.

### Power Requirements

Power Output	Voltage/Phase	Amperage
<b>1 Phase Models</b>		
2-kW	230/1	9
3-kW	230/1	13
4.5-kW	230/1	20
6-kW	230/1	27
9-kW	230/1	40
12-kW	230/1	53

<b>3 Phase Models</b>		
6-kW	400/3	9
9-kW	400/3	13
12-kW	400/3	18
15-kW	400/3	22
18-kW	400/3	26
24-kW	400/3	35

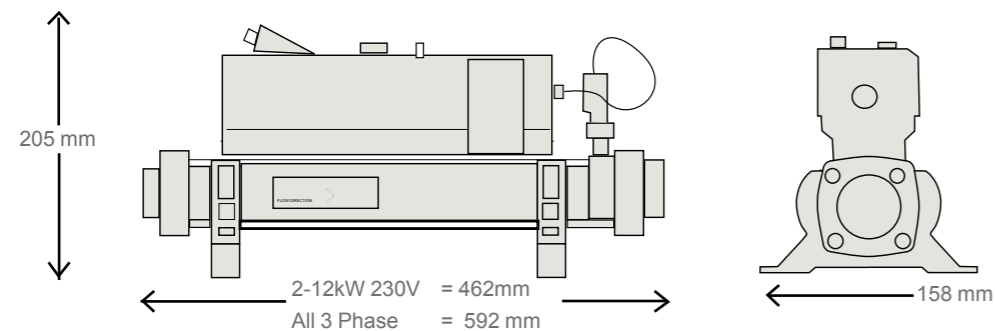
### Technical Specification

#### Stainless Steel

Heating Elements:	Incoloy 825
Flow Tube:	Stainless Steel BS316
Control Thermostat:	0-40°C (1°C Differential)
Safety Thermostat:	50°C Manual Reset
Flow Requirements:	Minimum 1000ltr/hr Maximum 13000ltr/hr
Control Housing:	Abs (Flame retardant UV Stabilised)
Water Connections:	1.5" BSP/ 50mm
Service Pressure:	5 Bar

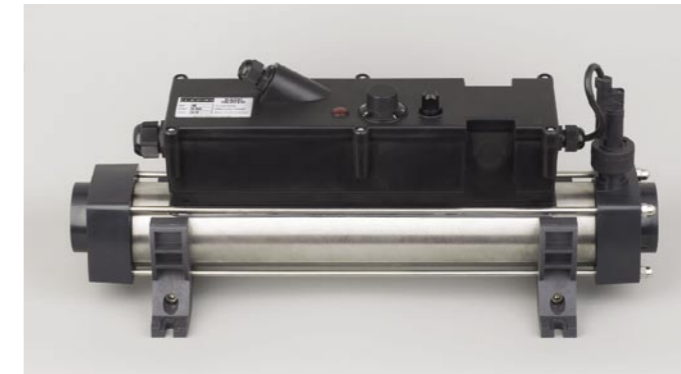
#### Titanium

Heating Elements:	Pure Titanium
Flow Tube:	Pure Titanium
Control Thermostat:	0-40°C (1°C Differential)
Safety Thermostat:	50°C Manual Reset
Flow Requirements:	Minimum 1000ltr/hr Maximum 13000ltr/hr
Control Housing:	Abs (Flame retardant UV Stabilised)
Water Connections:	1.5" BSP/ 50mm
Service Pressure:	5 Bar



Elecro Engineering. "In the relentless pursuit of perfection"  
[www.elecro.co.uk](http://www.elecro.co.uk)

## ELECTRIC HEATERS - FLOWLINE



### Stainless Steel

Product Code	Description	EUR RRP
<b>1 Phase Models</b>		
802B	2-kW 1 Phase 230V	€273
803B	3-kW 1 Phase 230V	€294
804B	4.5-kW 1 Phase 230V	€308
806B	6-kW 1 Phase 230V	€343
809B	9-kW 1 Phase 230V	€406
80AB	12-kW 1 Phase 230V	€427
<b>3 Phase Models</b>		
836B	6-kW 3 Phase 400V	€441
839B	9-kW 3 Phase 400V	€455
83AB	12-kW 3 Phase 400V	€476
83BB	15-kW 3 Phase 400V	€490
83CB	18-kW 3 Phase 400V	€504
83DB	24-kW 3 Phase 400V	€532

### Titanium

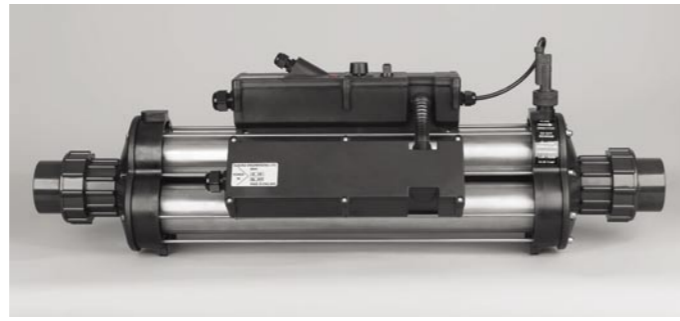
Product Code	Description	EUR RRP
<b>1 Phase Models</b>		
T82B	2-kW 1 Phase 230V	€336
T83B	3-kW 1 Phase 230V	€357
T84B	4.5-kW 1 Phase 230V	€371
T86B	6-kW 1 Phase 230V	€406
T89B	9-kW 1 Phase 230V	€448
T8AB	12-kW 1 Phase 230V	€511
<b>3 Phase Models</b>		
T36B	6-kW 3 Phase 400V	€567
T39B	9-kW 3 Phase 400V	€581
T3AB	12-kW 3 Phase 400V	€602
T3BB	15-kW 3 Phase 400V	€616
T3CB	18-kW 3 Phase 400V	€630
T3DB	24-kW 3 Phase 400V	€658

Elecro Engineering. "In the relentless pursuit of perfection"  
[www.elecro.co.uk](http://www.elecro.co.uk)

## ELECTRIC HEATERS - TRITHERM

### TRITHERM

Tritherm pool heaters are perfect for use on larger pools. They are supplied equipped and prewired including flow switch, control thermostat and 3x overheat safety thermostats and require only final connections to appropriate contactors. The Tritherm range is designed for ultimate safety and market leading reliability.



All models are available in either Stainless Steel 316l or Titanium for salt pools.

Tritherm Electric heaters are available in power outputs from 24-96kW 400v 3 Phase.

All Tritherm models are supplied with mounting brackets for base fixing.

### Power Requirements

Power Output	Voltage/Phase	Amperage
24-kW	400/3	35
30-kW	400/3	44
36-kW	400/3	52
45-kW	400/3	66
54-kW	400/3	78
72-kW	400/3	104
96-KW	400/3	140

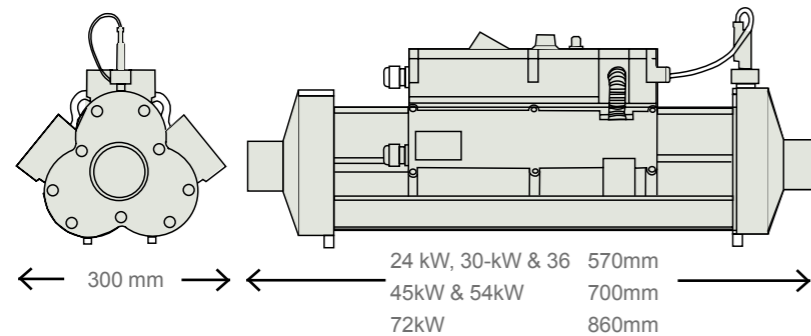
### Technical Specification

#### Stainless Steel

Heating Elements:	Incoloy 825
Flow Tube:	Stainless Steel BS316
Control Thermostat:	0-40°C (1°C Differential)
Safety Thermostat:	1x50°C Manual Reset 2x55°C Auto Reset
Flow Requirements:	Minimum 7000ltr/hr Maximum 40000ltr/hr
Control Housing:	Abs (Flame retardant UV Stabilised)
Water Connections:	63mm or 2" rigid pipe
Service Pressure:	3 Bar

#### Titanium

Heating Elements:	Pure Titanium
Flow Tube:	Pure Titanium
Control Thermostat:	0-40°C (1°C Differential)
Safety Thermostat:	1x50°C Manual Reset 2x55°C Auto Reset
Flow Requirements:	Minimum 7000ltr/hr Maximum 40000ltr/hr
Control Housing:	Abs (Flame retardant UV Stabilised)
Water Connections:	63mm or 2" rigid pipe
Service Pressure:	3 Bar



## ELECTRIC HEATERS - TRITHERM



### Stainless Steel

Product Code	Description	EUR RRP
83-24	24-kW 3 Phase 400V	€945.00
83-30	30-kW 3 Phase 400V	€1022.00
83-36	36-kW 3 Phase 400V	€1141.00
83-45	45-kW 3 Phase 400V	€1540.00
83-54	54-kW 3 Phase 400V	€1680.00
83-72	72-kW 3 Phase 400V	€2100.00
83-96	96-kW 3 Phase 400v	€2352.00

### Titanium

Product Code	Description	EUR RRP
T83-24	24-kW 3 Phase 400V	€1771.00
T83-30	30-kW 3 Phase 400V	€1848.00
T83-36	36-kW 3 Phase 400V	€1967.00
T83-45	45-kW 3 Phase 400V	€2786.00
T83-54	54-kW 3 Phase 400V	€2926.00
T83-72	72-kW 3 Phase 400V	€3318.10

## ELECTRIC HEATERS - PLUG AND PLAY

### PLUG AND PLAY

Electro Plug and Play heaters are an economical option for the heating of above ground and splasher pools. They are provided Fully equipped to allow simple and cost effective installation.

They feature flow switch, which will operate at just 1000 litres per hour, along with control thermostat and safety high limit thermostat, and come complete with 3 meter power lead and high quality RCD.

All models are available in either Stainless Steel 316l or Titanium for salt pools .

Plug and Play electric heaters from Electro are available in 2 or 3kW outputs.

### Power Requirements

Power Output	Voltage/Phase	Amperage
<b>1 Phase Models</b>		
2-kW	230/1	9
3-kW	230/1	13

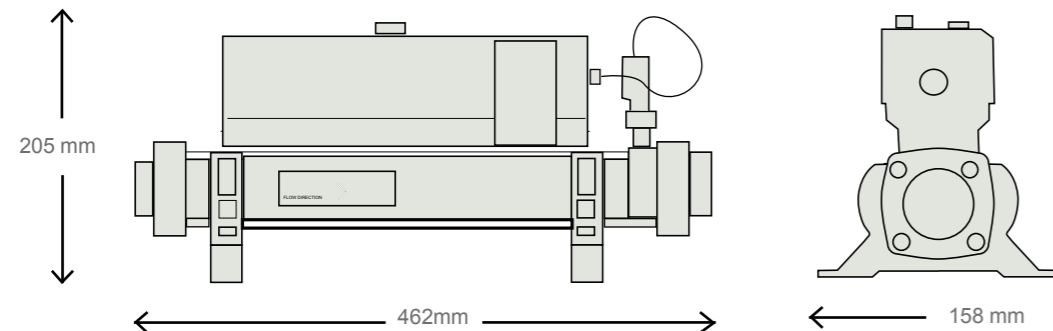
### Technical Specification

#### Stainless Steel

Heating Elements:	Incoloy 825
Flow Tube:	Stainless Steel BS316
Control Thermostat:	0-40°C (1°C Differential)
Safety Thermostat:	50°C Manual Reset
Flow Requirements:	
Minimum	1000ltr/hr
Maximum	13000ltr/hr
Control Housing:	Abs (Flame retardant, UV Stabilised)

#### Titanium

Heating Elements:	Pure Titanium
Flow Tube:	Pure Titanium
Control Thermostat:	0-40°C (1°C Differential)
Safety Thermostat:	50°C Manual Reset
Flow Requirements:	
Minimum	1000ltr/hr
Maximum	13000ltr/hr
Control Housing:	Abs (Flame retardant, UV Stabilised)



## ELECTRIC HEATERS - PLUG AND PLAY



### Stainless Steel

Product Code	Description	EUR RRP
802PB	2-kW Stainless Steel Flow-Line 'Plug and Play' Heater	€378.00
803PB	3-kW Stainless Steel Flow-Line 'Plug and Play' Heater	€392.00

### Titanium

T82PB	2-kW Titanium Flow-Line 'Plug and Play' Heater	€441.00
T83PB	3-kW Titanium Flow-Line 'Plug and Play' Heater	€455.00



## HEAT EXCHANGER - MULTI TUBULAR HEAT EXCHANGERS

### MULTI TUBULAR HEAT EXCHANGERS

The Elecro multi tubular heat exchanger has been designed specifically for the heating/cooling of all types of outdoor or indoor swimming pools, and are perfect for use, in conjunction with gas or oil fired boilers, solar panels, heat pumps and chillers.

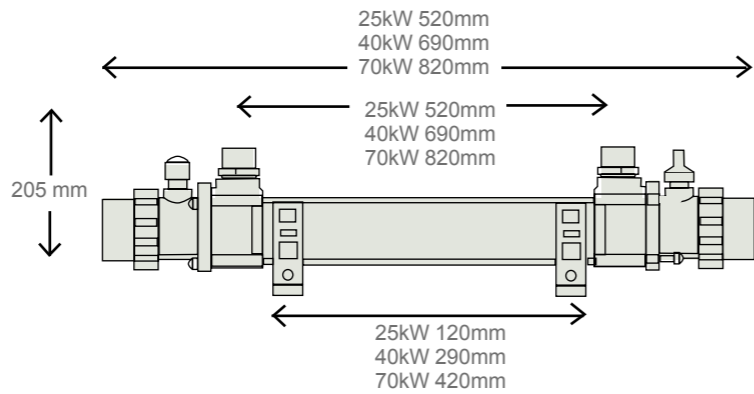
The Elecro heat exchanger is installed inline with the pool filtration circuit and a primary heated water circuit. The two independent water circuits flow in opposite directions, through the heat exchanger, and the heat is absorbed by the swimming pool water.

Constructed using premium grade materials, the Elecro heat exchanger features a densely populated 'laminar flow' tube stack and low volume primary chamber, which ensures that temperature differentials are optimised, and

thus allows for excellent heat transfer performance, even when coupled to low value primary heat sources, such as solar systems.

#### Features:

- All models available with either Stainless Steel 316l or Titanium internal tubes
- Polyamide and Stainless Steel BS316 outer shell
- Fully Dismantlable for easy tube cleaning
- Thermostat pocket
- Supplied with multi position floor/ wall mounting brackets and solvent weld unions for connection to rigid pipework
- Pressure tolerance to 3 bar



#### Technical Specification

Product Code	Power Output @ 90°C	Pool Water Connection	Secondary Water Connection	Flow Rate (Primary) M³/h	Flow Rate (Secondary) M³/h	Pressure Drop (Primary) Kpa	Pressure Drop (Secondary) Kpa	Service Pressure	Weight
<b>Stainless Steel</b>									
EHE25SS	25kW/85000 BTU	50mm/1.5"	26/34mm 1"BSP (m)	0.7M³/h / 150gp/h	6M³/h / 1300gp/h	1.4Kpa / 0.2psi	3.8Kpa / 0.55psi	3 bar	2Kgs
EHE40SS	40kW/136000 BTU	50mm/1.5"	26/34mm 1"BSP (m)	1.5M³/h / 330gp/h	9M³/h / 2000gp/h	2.5Kpa / 0.36psi	8.8Kpa / 1.27psi	3 bar	3Kgs
EHE70SS	70kW/238000 BTU	50mm/1.5"	26/34mm 1"BSP (m)	3M³/h / 660gp/h	13M³/h / 2800gp/h	6Kpa / 0.86psi	13.7Kpa / 1.98psi	3 bar	4Kgs
<b>Titanium</b>									
EHE25ST	25kW/85000 BTU	50mm/1.5"	26/34mm 1"BSP (m)	0.7M³/h / 150gp/h	6M³/h / 1300gp/h	1.4Kpa / 0.2psi	3.8Kpa / 0.55psi	3 bar	2Kgs
EHE40ST	40kW/136000 BTU	50mm/1.5"	26/34mm 1"BSP (m)	1.5M³/h / 330gp/h	9M³/h / 2000gp/h	2.5Kpa / 0.36psi	8.8Kpa / 1.27psi	3 bar	3Kgs
EHE70ST	70kW/238000 BTU	50mm/1.5"	26/34mm 1"BSP (m)	3M³/h / 660gp/h	13M³/h / 2800gp/h	6Kpa / 0.86psi	13.7Kpa / 1.98ps	3 bar	4Kgs

## HEAT EXCHANGER - MULTI TUBULAR HEAT EXCHANGERS

The Elecro multitubular heat exchanger can also be supplied in fully equipped format. This ensures convenient and simple installation and minimal on site installation costs.

#### Features:

- Grundfos heating circuit pump
- Flow switch
- Non - return valve
- Choice of analogue or digital control



#### Stainless Steel

Product Code	Description	EUR RRP
EHE25SS	25kW	€399
EHE40SS	40kW	€497
EHE70SS	70kW	€672

#### Titanium

EHE25T	25kW	€497
EHE40T	40kW	€595
EHE70T	70kW	€728

#### Stainless Steel

Product Code	Description	EUR RRP
EHE25SSA	25kW Analogue Equipped	€784
EHE40SSA	40kW Analogue Equipped	€882
EHE70SSA	70kW Analogue Equipped	€1050

#### Titanium

EHE25TA	25kW Analogue Equipped	€931
EHE40TA	40kW Analogue Equipped	€1036
EHE70TA	70kW Analogue Equipped	€1176

#### Stainless Steel

Product Code	Description	EUR RRP
EHE25SSD	25kW Digital Equipped	€917
EHE40SSD	40kW Digital Equipped	€1015
EHE70SSD	70kW Digital Equipped	€1162

#### Titanium

EHE25TD	25kW Digital Equipped	€1015
EHE40TD	40kW Digital Equipped	€1113
EHE70TD	70kW Digital Equipped	€1246



## HEAT PUMP

### HEAT PUMP

Electro heat pumps are the most efficient and reliable swimming pool heat pumps available. Built to the highest standards, Electro heat pumps absorb heat from the air and transfer it to the pool water - making the heating process clean, efficient, ecological and most of all, cost effective. All Electro heat pumps feature state of the art technology, and are built using the highest quality components to ensure ultimate performance and reliability.



- Copeland Scroll Compressor - Efficient, reliable and silent.
- Titanium Heat Exchanger - Total protection against corrosion,
- no bypass required.
- Whisper Quiet Fan - Low speed, tuned for maximum air flow and minimum noise.
- R407C - Environmentally Friendly refrigerant
- Largest Evaporator - Enables higher performance. Epoxy coated for protection against corrosion.
- Digital Controls - State-of-the-art, easily programmable with full diagnostic display and priority heating function
- Corrosion Proof Cabinet - UV Stabilised, high impact plastic cabinet is impervious to deterioration. Rust proof, fade proof and crack resistant

### Technical Specification

Model	40K BTU	49K BTU	65K BTU	100K BTU
Power Output (kW)	12-kW	14-kW	19-kW	29-kW
Power Consumption (kW)	2.0	2.7	3.4	5.2
COP (Coefficient of Performance)	5.9	5.3	5.6	5.6
Power Supply Voltage-Phase-Hz	220/240-1-50	220/240-1-50	220/240-1-50 or 380/400-3-50	220/240-1-50 or 380/400-3-50
Running Amperage	12	13	18 6	24 13
Circuit Breaker	20	30	30 15	40 20
Pipe Work Connections	1.5"/ 2" or 63mm	1.5"/ 2" or 63mm	1.5"/ 2" or 63mm	1.5"/ 2" or 63mm
Dimensions (cm)	82x82x87	82x82x87	82x82x87	82x82x102
Noise Levels dBA (3m)	48-52	48-52	48-52	48-52
Weight (Kg)	90	90	90	105

## HEAT PUMP

Air Defrost models (operation to 5°C)

Product Code	Description	EUR RRP
EHP40	40K BTU (12-kW) Titanium Heat Pump	€4207.00
EHP49	49K BTU (14-kW) Titanium Heat Pump	€4487.00
EHP65	65K BTU (19-kW) Titanium Heat Pump	€4991.00
EHP100	100K BTU (29-kW) Titanium Heat Pump	€5740.00

Reverse Cycle Defrost models (operation to -5°C) Also includes Heat/ Cool

EHP49RC	49K BTU (14-kW) Titanium Heat Pump	€4956.00
EHP65RC	65K BTU (19-kW) Titanium Heat Pump	€5369.00
EHP100RC	100K BTU (29-kW) Titanium Heat Pump	€6216.00

\* Heat Pumps of 65000 BTU and above can be provided in 3 phase for an additional cost of €210.00 EUR RRP

## UV STERILISERS - PRO POOL

### PRO POOL

UV Sterilisers from Elecro are designed as a cost effective and efficient way of reducing chlorine use in swimming pools.

Produced in UV/impact resistant ABS for long life and zero corrosion. The unit Features Philips® lamp technology. The unit can be easily serviced (replacement lamps/ electrical components) without the need to drain the system. Suitable for all pools up to 100m<sup>3</sup>.



#### Features:

- 2 x 55w lamps (110w total output)
- Improves water quality and clarity.
- Easily dismantlable for maintenance/ service
- UV lamps can be replaced, without the need to drain the system
- Low maintenance/ running costs
- Destroys harmful chloramines
- Controls bacteria, micro organisms and pathogens
- Supplied with mounting brackets for easy wall fixing
- Pressure tolerance to 3 bar
- Supplied complete with 5 metre electrical cable



#### Technical Specification

Maximum Operating Pressure	3 Bar
Lamp Output	2 x 55W (110W Total)
UV-C Output	2 x 18W (36W Total)
Lamp Pressure	Low
Lamp Life	8000 Hours
Voltage & Frequency	120V - 240V 50/60Hz
Max Flow Rate	8,000 Imp Gallons / 36,000-litres per hour
IP Rating	IP64
Maximum Pool Size	22,000 Imp Gallons / 100,000-litres
Water Connections	2" BSP / 63mm stepped

Product Code	Description	EUR RRP
UV110	Pro Pool UV110 - 110W UV Water Treatment For Pools Up To 100,000-Litres	€798.00

## SALT WATER CHLORINATORS

### SALT WATER CHLORINATORS

Elecro salt water chlorinators are high performance salt chlorination systems that let you enjoy crystal-clear pool water, without the use of harsh chemicals. They are designed for easy installation and operation and superb reliability.

All models feature switchmode power supply, which offers significant advantages over traditional salt water Chlorinators, including; less electrical consumption (up to 60% less than other leading salt chlorinators), extended cell electrode life and reduced physical dimensions and weight.

Salt chlorination is healthy, safe and economical. It reduces the cost and effort involved in keeping your pool sanitised with traditional chemicals, and is also friendlier on the eyes and skin.



#### Features:

- Switchmode Technology
- Bipolar self cleaning cell
- Flow Sensor protects against cell damage
- Programmable polarity according to water hardness
- Low maintenance/ running costs
- Market leading cell electrode life (Up to 16,000 hours)
- Single multi plug for all cell connections
- Supplied with fixings for easy mounting.

#### Technical Specification

Model	Pool Volume	Recommended salt level	Chlorine Production	Electrical Consumption	Voltage/ Phase/ Hz	Weight Packed	Dimensions
SM20	0-100m <sup>3</sup>	4-35 gr/l	22g/h	190w	220/1/50	3.2 Kg	47.5 x 17 x 35 cm
SM30	0-170m <sup>3</sup>	4-35 gr/l	33g/h	300w	220/1/50	3.5 Kg	47.5 x 17 x 35cm

Product Code	Description	EUR RRP
SM20	22g/h Chlorine production (pools 0-100,000-Litres)	€1395.00
SM30	33g/h Chlorine Production (pools 100,000- 170,000-Litres)	€1650.00

## POOL SMART - DIGITAL CONTROL

### DIGITAL CONTROL

#### Features:

- Control and maintain your pool to the perfect temperature.
- Accurate Temperature Control to 0.5°C
- Perfect for use with heat exchangers, heat pumps, solar and oli/gas fired boilers
- Continues water circulation after shut down to ensure all heat is transferred to the pool and avoid damage to the heating equipment.
- Supplied with flow switch, temperature sensor, and pre fitted into T-Piece
- 63mm water connections and supplied with reducing connectors for 50-mm or 1.5".



Product Code	Description	EUR RRP
PSC	Pool-Smart Digital Heating Controller	€260.00

### FLOW SWITCH

#### Features:

- For detection of flow/ no flow
- 3/4" BSP female thread connection
- Unbeatable quality and reliability
- Paddle can be adapted as per customers requirements
- Can be provided with customers specified cable length
- GFN/ titanium construction for zero corrosion.
- Perfect for use with all heating/ dosing equipment
- OEM Pricing available



Product Code	Description	EUR RRP
107	Flow Switch	€47.60

## TERMS

### Elecro - Terms and Conditions of Trading

All products sold by Elecro Engineering Limited are subject to following terms and conditions.

#### 1. Prices

Prices listed are recommended retail prices and subject to delivery charge and VAT (where applicable). We reserve the right to modify these prices without prior notice.

#### 2. Orders

In order to eliminate errors and improve processing, Elecro request that orders are made in writing and sent by Fax to: +44 (0)1438 361329 or email: sales@elecro.co.uk. All orders received in writing will be understood as firm purchases.

#### 3. Payment

Unless otherwise agreed, payment terms are 100% in advance. Payment terms accepted are Bank transfer in favour of Elecro Engineering Limited, Cheque, or credit/ debit card. Credit cards are subject to a 3% surcharge. Delivery will be made upon receipt of cleared funds.

#### 4. Delivery

Elecro Engineering will always endeavour to deliver any orders with a minimal lead time. Most stock items can be depatched on the day of order, subject to the order being received pre 12:00pm.

#### 5. Damage Claims

Customers must examine goods upon delivery, and if any items are damaged or missing, it should be clearly stated on the delivery note and reported to Elecro immediately.

#### 6. Ownership Of Goods

Goods supplied by Elecro Engineering Limited, remain the property of the company until paid for in full by the customer.

#### 7. Warranty

Goods Supplied by Elecro Engineering Limited are subject to a guarantee of 1 year, from date of purchase, against faulty workmanship and materials. Elecro will repair or replace, at its discretion, any faulty products or components, returned to the company for inspection. Proof of purchase may be required. Elecro Engineering, will not be liable in cases of incorrect installation, inappropriate use or neglect of the heater. Return carriage costs are the responsibility of the purchaser.

#### 8. Returns

Goods that are incorrectly ordered, or no longer required, will be taken back by Elecro, provided that they are returned unused and in perfect condition (including the condition of their original packaging) within two weeks of the original purchase. The returned goods will be subject to a re-stocking charge of £25 (€35)per unit or 20% of invoiced value, whichever is greater.

#### 9. Miscellaneous

Elecro Engineering Limited reserve the right to make changes to prices, and specifications (including dimensions, colours, construction or characteristics) of any product sold by the company, without prior notice.

Elecro Accepts no responsibility in the case of delayed or damaged deliveries.

E&OE





Distributed By/ Distribué Par/ Distribuido Cerca/ Vorbei Verteilt

Unit 14 Leyden Road

Stevenage

Herts

SG1 2BW

UK

Tel: + 44 (0)1438 749474

Fax: + 44 (0)1438 361329

[info@elecra.co.uk](mailto:info@elecra.co.uk)

[www.elecra.co.uk](http://www.elecra.co.uk)